

Water Quality Analyser System



 **autocontrol**
process instrumentation

• Sensing • Measuring • Controlling • Automation

UK | USA | UAE | INDIA | ITALY | IRAQ | KSA | OMAN | TURKEY

www.autocontrolpi.com



About Us



Autocontrol Process Instrumentation (API) Originates from Autocontrol Technologies, a Company established in 1994 Italy.

Autocontrol Process Instrumentation (API) provide the complete Design, Engineering, Integration, fabrication, Technical support, Test, Commissioning and handover for all package system for Oil & Gas, Petrochemical, Chemical and Power industries as per the customer requirement. We also focused on Sensing Technologies, Measuring Instruments, Controlling Equipment, Automation Systems and all related Accessories. While API's activities cover a wider range of products, services and packages.

API's products are approved by International and National Oil and Gas Operators, Energy, Utilities and Industrial Companies.

We study and research on your requested systems and utilize best and competitive Technologies and instruments to meet your requirements.

For more information, please ask for a copy of our integrated company profile, or visit:

www.autocontrolpi.com

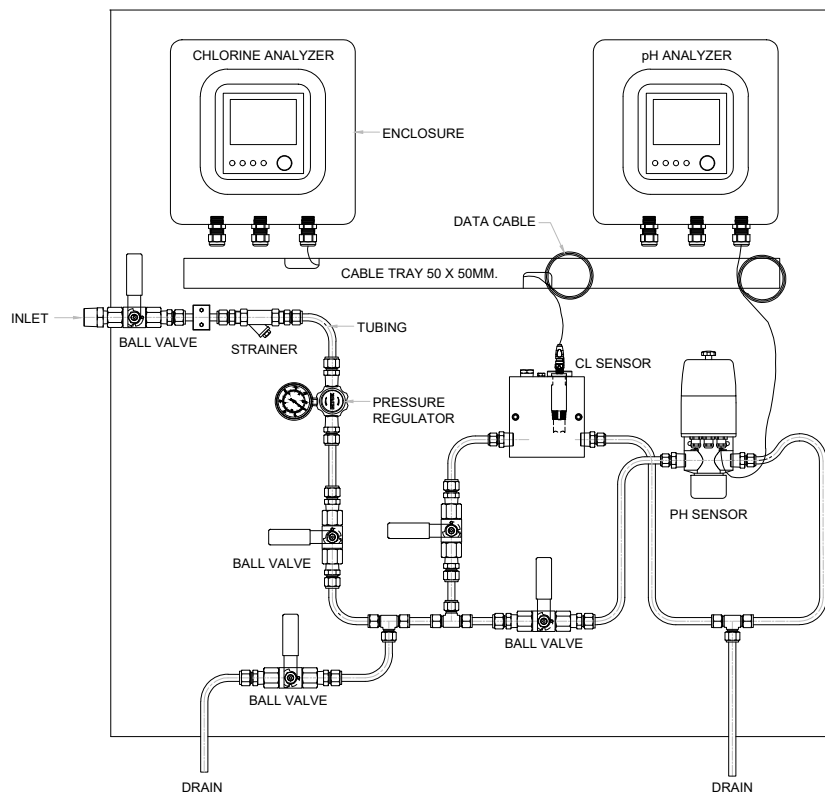
Whatever you need, we can sense it...
Measure it... Control it and if necessary...
automate it....



Water Analyzer System

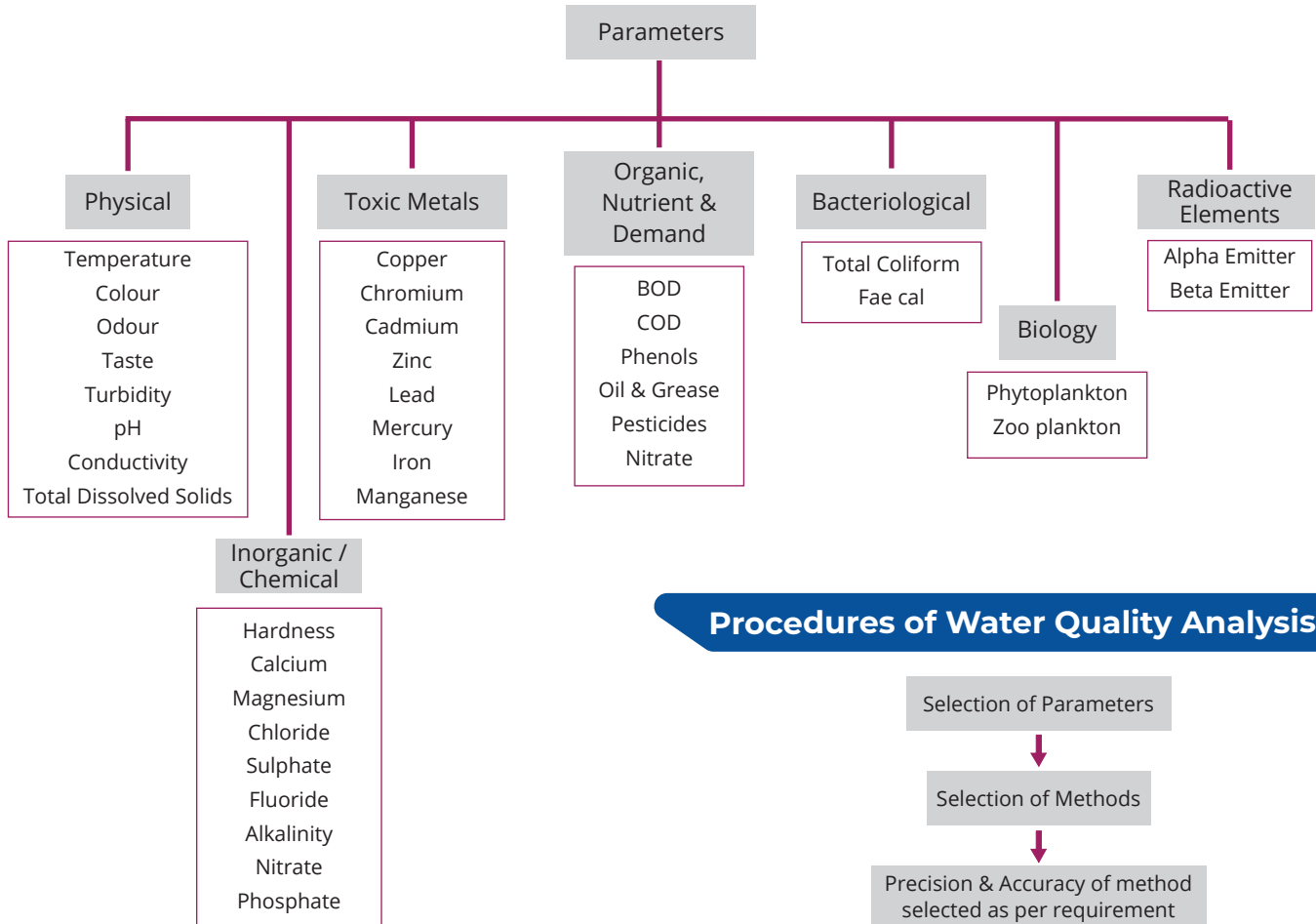
Water quality analysis is also called hydro-chemical analysis. That is to use chemical and physical methods to determine the content of various chemical components in water. Water quality analysis can be divided into three types: simple analysis, complete analysis and special analysis. Simple analysis is carried out in the field with few analysis items, but the requirements are fast and timely, which is suitable for preliminary understanding of the main chemical components of groundwater in various aquifers in a large area. Special analysis projects are determined according to the needs of specific tasks. For example, in hydro chemical prospecting, high-precision spectrometers are used to focus on the analysis of certain metal ions sought, and in water radioactivity determination, certain radioactive elements are analyzed.

Autocontrol process Instrumentation (API) is recognized integrator & supplier for the complete water quality analyzer system package with shelter as per customer requirement.

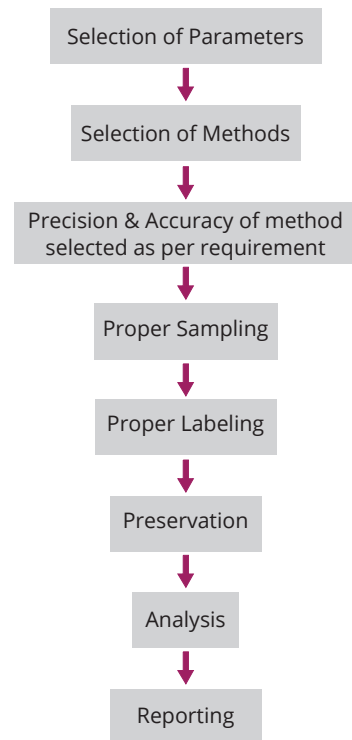


Water Analyzer System

Parameters of Water Quality Analysis:



Procedures of Water Quality Analysis:



Installation, Commissioning & Service

Installation & Commissioning:

Many of our clients have engaged us in the installation and commissioning of the equipment we supply and can therefore be fully confident in site system performance, safety and reliability as was engineered.

Benefits:

- Turn-key, fully seamless integrated solution, one stop shop with added advantages of foresight.
- Single point of contact and accountability
- Installation and commissioning by engineers experienced and cognizant with the platform and design and who can deliver Innovative Solutions to unexpected site issues as are often encountered.
- Bespoke arrangements
- Immediate and full access to the project engineering team responsible for the application design to advise in any unforeseen site Implementation problems at no additional cost.

Key Business Benefits Derived:

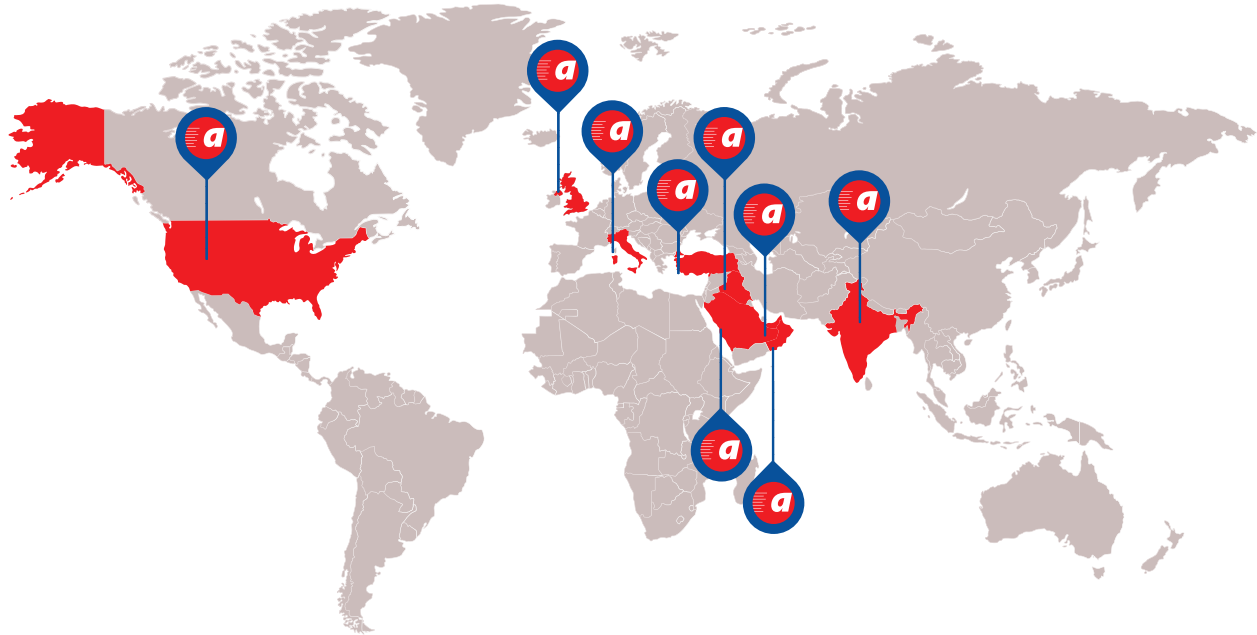
- Confidence in effective and competent installation and commissioning with easy access to engineering base support
- Contributes to lifetime performance, functional efficacy and safety.
- Cost effective, simplifies management overhead with reduced contractual risk.
- Ensures against third party systematic errors with immediate and/or potential later incurred costs.

Our Service offering:

The system you have purchased has been engineered, manufactured and tested to the highest standard. However, we recognize that The system will serve its purpose to the maximum efficacy where competent engineering is engaged throughout its entire life cycle and not just up to point of delivery and later application of highly competent operations and maintenance. An engineering solution that is well designed, built and tested can easily be compromised by insufficiently enlightened installation or Commissioning that can act in detriment to the longer term system performance, safety, reliability and application. It is more often So, as an imperative, that installation and commissioning requires extensive knowledge of the platform, application and site Integration.



Our Global Presence



UK

Autocontrol Process Instrumentation Ltd.

Unit B4; Greeba Road; Southmoor Industrial Park Wythenshawe; Greater Manchester, England Post Code - M23 9XS, United Kingdom

+44 161 5074 443

sales.uk@autocontrolpi.com

www.autocontrolpi.com

USA

Autocontrol Americas Inc.

Unit 24/26 220 Barren Springs Dr, Houston, Texas 77090, United States of America

sales.usa@autocontrolamericas.com

www.autocontrolamericas.com

UAE

Autocontrol Process Instrumentation FZC.

Plot No. 1H-08B, PO Box 51722, Hamriya Free Zone, Phase 1, Sharjah, United Arab Emirates.

sales.uae@autocontrolpi.com

www.autocontrolpi.com

INDIA

Autocontrol Process Instrumentation Pvt. Ltd.

Plot No-B-85/4, Ambernath Additional MIDC, Anand Nagar, Nr. ASB Company, Ambernath, Thane, Maharashtra, India - 421506

sales.india@autocontrolpi.com

www.autocontrolpi.com

ITALY

Autocontrol Europe Srl.

Via Vittorio Veneto, 23, Cap 20010 Bernate Ticino Milano, Italy

sales.europe@autocontroleurope.com

www.autocontroleurope.com

IRAQ

Autocontrol Process Instrumentation FZE.

Italian City1, Villa 59 Erbil Kurdistan, Iraq

sales.iraq@autocontrolpi.com

www.autocontrolpi.com

KSA

Autocontrol Process Instrumentation LLC.

Unit S1/2/44, Dammam 2nd Industrial Area, West (SCOOP) Kingdom of Saudi Arabia

sales.ksa@autocontrolpi.com

www.autocontrolpi.com

OMAN

Autocontrol Process Instrumentation LLC.

Ghala Al Sanaiah, Bousher, Postal Code 112, Muscat Governorate, Muscat, Oman

sales.oman@autocontrolpi.com

www.autocontrolpi.com

TURKEY

Autocontrol Process Instrumentation Elektronik Imalat Ticaret Sanayi Limited Sirketi

Ornek, Bestekar Amir Ates Cd. No. 10A, 34704 Atasehir, Istanbul, Turkey

sales.turkey@autocontrolpi.com

www.autocontrolpi.com

Notes

A large area of the page is filled with horizontal dashed lines, providing space for handwritten notes.



• Sensing • Measuring • Controlling • Automation

UK | USA | UAE | INDIA | ITALY | IRAQ | KSA | OMAN | TURKEY

www.autocontrolpi.com