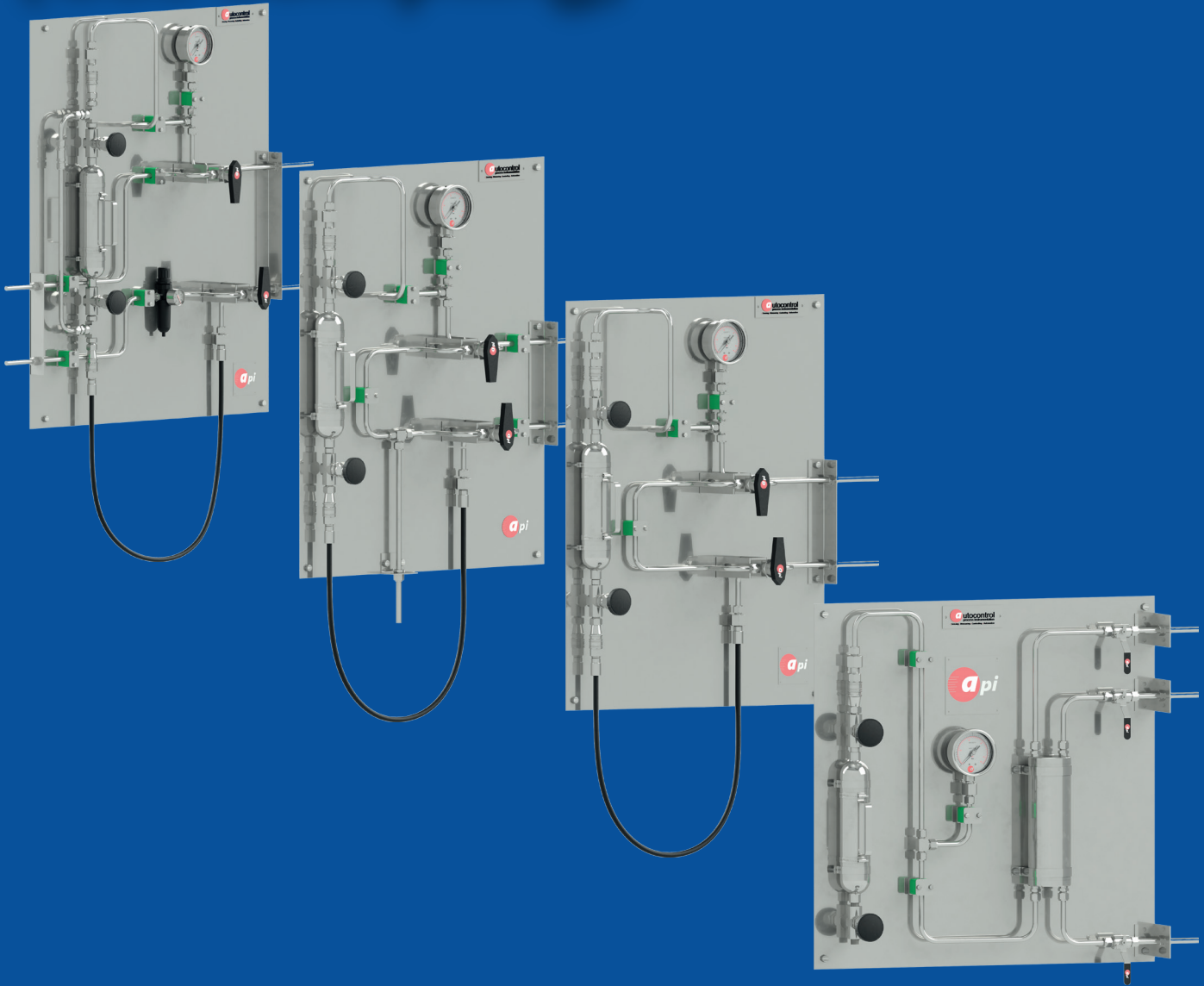


SAMPLING SYSTEM (Gas Sampling)



• Sensing • Measuring • Controlling • Automation

UK | USA | UAE | INDIA | ITALY | IRAQ | KSA | OMAN | TURKEY

www.autocontrolpi.com



About Us



Autocontrol Process Instrumentation (API) Originates from Autocontrol Technologies, a Company established in 1994 Italy.

Autocontrol Process Instrumentation (API) provide the complete Design, Engineering, Integration, fabrication, Technical support, Test, Commissioning and handover for all package system for Oil & Gas, Petrochemical, Chemical and Power industries as per the customer requirement. We also focused on Sensing Technologies, Measuring Instruments, Controlling Equipment, Automation Systems and all related Accessories. While API's activities cover a wider range of products, services and packages.

API's products are approved by International and National Oil and Gas Operators, Energy, Utilities and Industrial Companies.

We study and research on your requested systems and utilize best and competitive Technologies and instruments to meet your requirements.

For more information, please ask for a copy of our integrated company profile, or visit:

www.autocontrolpi.com

Whatever you need, we can sense it...
Measure it... Control it and if necessary...
automate it....



Gas Sampling System

Purge Configuration (GS_PC):

Function:

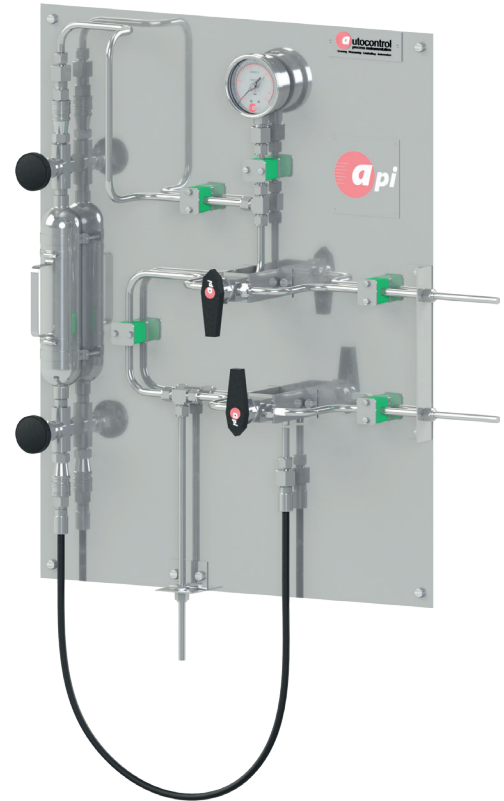
This sampling system configuration provides the user to purge the sampling cylinder of system prior to the collection of sample in to sampling cylinder. Initially purging provides the user to retrieve the optimal representative sample.

Features:

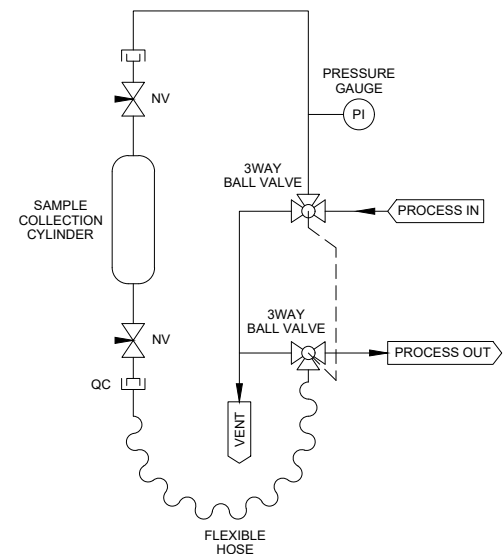
- Representative sampling
- Closed sampling
- Fixed volume sampling
- Purging of sampler
- De pressurization of quick connect couplings
- Easy connect or disconnection of sample bomb

Specification:

Product Type Code	: GS_PC
Material	: SS316L / As required
Cylinder Type	: Upto 1000CC./ As required
Valves Type	: 3 Way Ball Valves
Process Range	: As required
Temperature Range	: As required
Operation	: Manual
Connection Type	: 1/4" or 1/2" FNPT
Mounting Type	: Enclosure or Mounting plate
Accessories	: Sample Cooler, Flow Indicator
Other Options	: Exotic Material, Enclosure



Schematic Drawing:



Gas Sampling System

Flare Connection Configuration for Hazardous Gasser (GC_FCC):

Function:

This sampling system can be used in the application where the hazardous gases can not be vent to atmosphere, in this sampling the vent will be connected to flare live. This sampling system offers user to purge the past existing sample to flare prior to the collection of required sample.

Features:

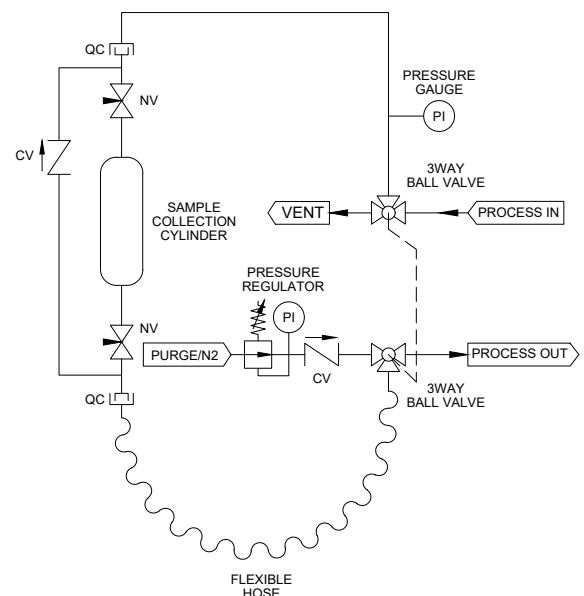
- Representative sampling
- Closed sampling
- Fixed volume sampling
- Purging of sampler
- De pressurization of quick connect couplings
- Easy connect or disconnection of sample bomb

Specification:

Product Type Code	: GS_FCC
Material	: SS316L / As required
Cylinder Type	: Upto 1000CC./ As required
Valves Type	: 3 Way Ball Valves
Process Range	: As required
Temperature Range	: As required
Operation	: Manual
Connection Type	: 1/4" or 1/2" FNPT
Mounting Type	: Enclosure or Mounting plate
Accessories	: Sample Cooler, Flow Indicator
Other Options	: Exotic Material, Enclosure



Schematic Drawing:



Gas Sampling System

Bypass Purge Cylinder Configuration (GS_BPCC):

Function:

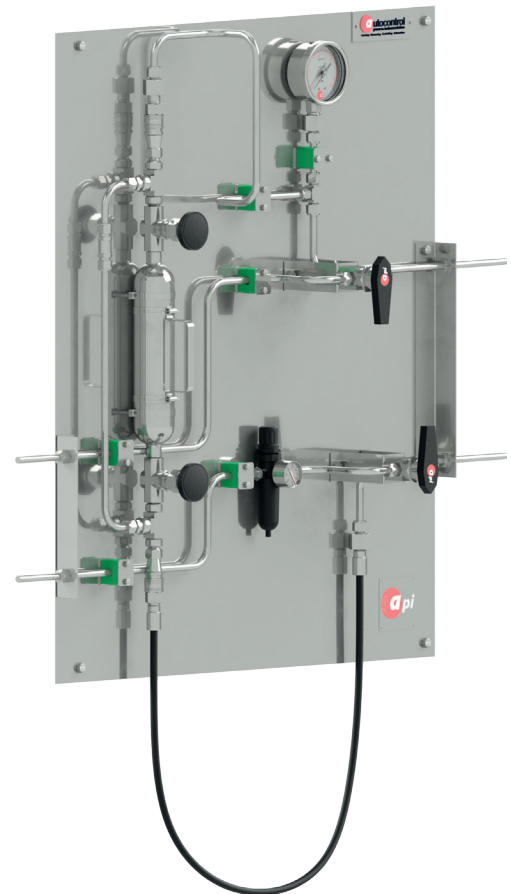
This sampling system configuration provides the user to vent the gas initially and purge the system to retrieve the actual optimal sample. In addition, this system provides the user to purge the system with N2. So that complete system will be purged with N2 to ensure the retrieval of required sample excluding the traces of last sample.

Features:

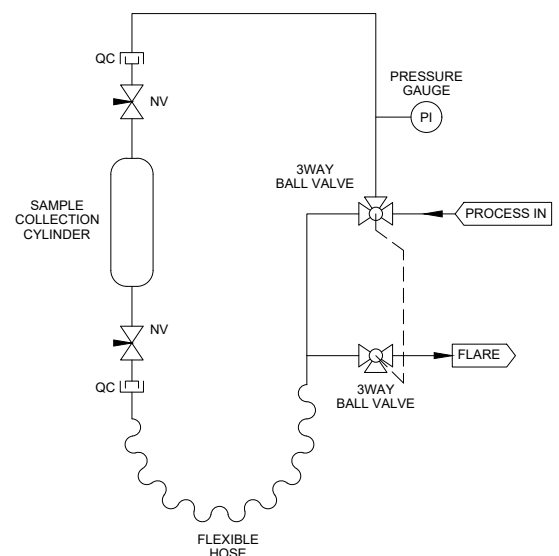
- Representative sampling
- Closed sampling
- Fixed volume sampling
- Purging of sampler
- De pressurization of quick connect couplings
- Easy connect or disconnection of sample bomb

Specification:

Product Type Code	: GS_BPCC
Material	: SS316L / As required
Cylinder Type	: Upto 1000CC./ As required
Valves Type	: 3 Way Ball Valves
Process Range	: As required
Temperature Range	: As required
Operation	: Manual
Connection Type	: 1/4" or 1/2" FNPT
Mounting Type	: Enclosure or Mounting plate
Accessories	: Sample Cooler, Flow Indicator
Other Options	: Exotic Material, Enclosure



Schematic Drawing:



Gas Sampling System

DESCRIPTION	CODE: LS _ FCC S6 - EM - 500 - SC - X53
Product & Type	
Sampler	LS
Purge System Configuration	PSC
Bypass Purge Cylinder Configuration	BPCC
Flare Connection Configuration	FCC BPC
Wetted Parts	
SS316	S6 S6
SS316L	SL
Duplex	DU
Monel	M4
Inconel	IN
Titanium	TI
Hastelloy	HC
Mounting Type	
Enclosure	EM EM
Mounting Plate	MP
Cylinder Capacity	
250CC	250
500CC	500 500
750CC	750
1000CC	1000
As Required	AR
Accessories	
Sample Cooler	SC SC
Flow Indicator	FI
Other Option	
Material Test Certificate 3.1	X17
Tested NACE Standard	X20
PMI Test	PMI
Hydro test Certificate	X53 X53
Helium Leak Test	X22
Exotic Material	EM

Installation, Commissioning & Service

Installation & Commissioning:

Many of our clients have engaged us in the installation and commissioning of the equipment we supply and can therefore be fully confident in site system performance, safety and reliability as was engineered.

Benefits:

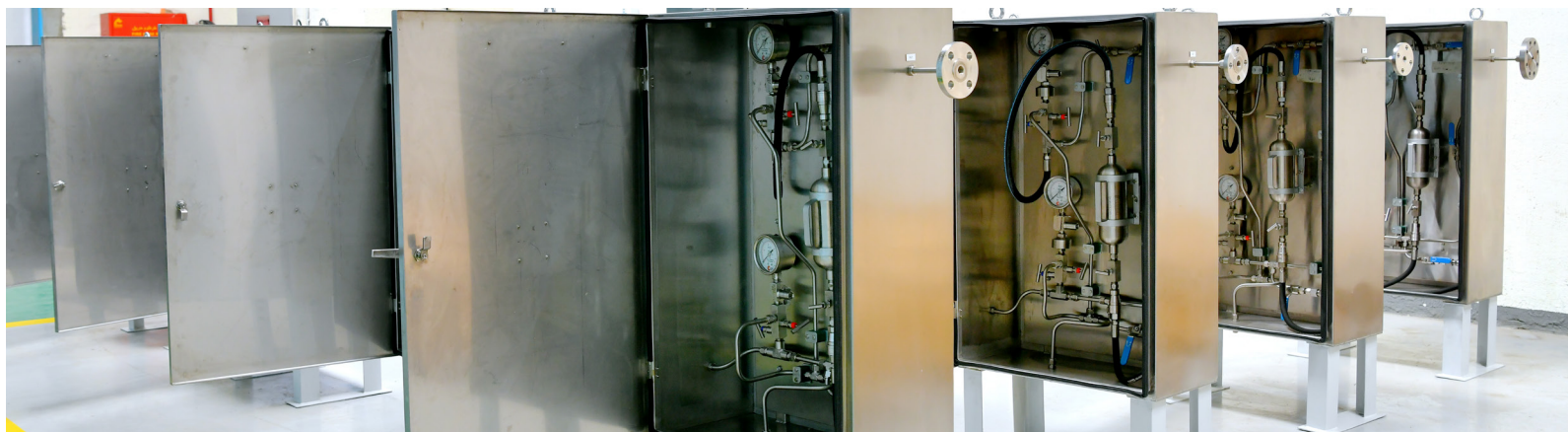
- Turn-key, fully seamless integrated solution, one stop shop with added advantages of foresight.
- Single point of contact and accountability
- Installation and commissioning by engineers experienced and cognizant with the platform and design and who can deliver Innovative Solutions to unexpected site issues as are often encountered.
- Bespoke arrangements
- Immediate and full access to the project engineering team responsible for the application design to advise in any unforeseen site Implementation problems at no additional cost.

Key Business Benefits Derived:

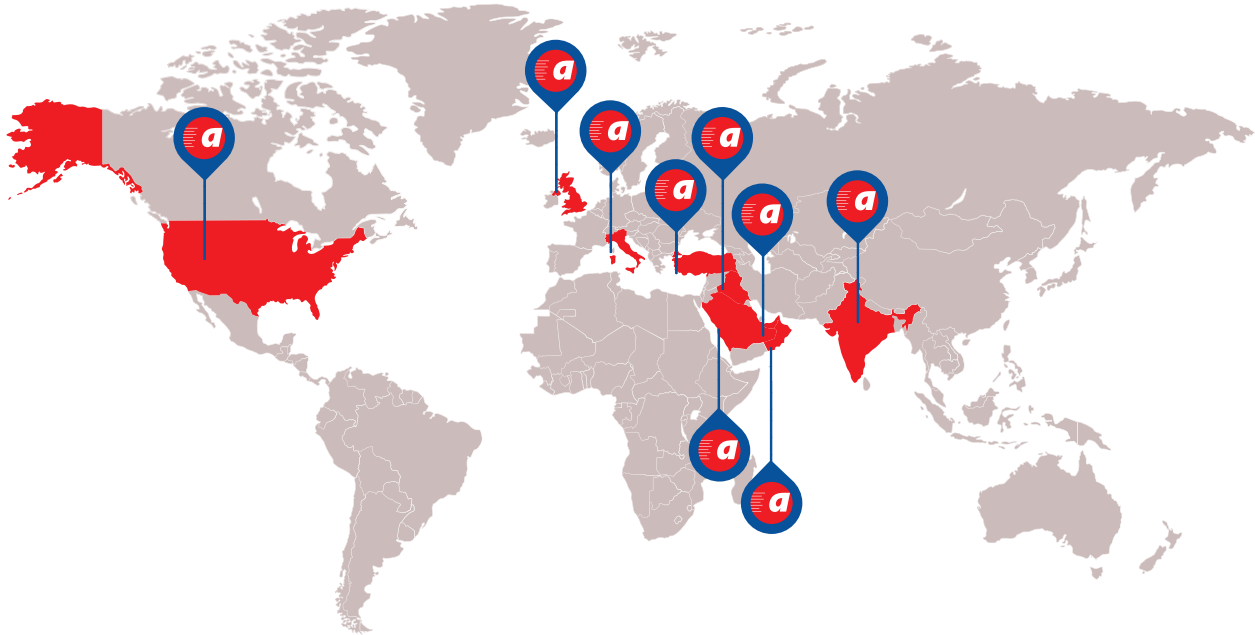
- Confidence in effective and competent installation and commissioning with easy access to engineering base support
- Contributes to lifetime performance, functional efficacy and safety.
- Cost effective, simplifies management overhead with reduced contractual risk.
- Ensures against third party systematic errors with immediate and/or potential later incurred costs.

Our Service offering:

The system you have purchased has been engineered, manufactured and tested to the highest standard. However, we recognize that The system will serve its purpose to the maximum efficacy where competent engineering is engaged throughout its entire life cycle and not just up to point of delivery and later application of highly competent operations and maintenance. An engineering solution that is well designed, built and tested can easily be compromised by insufficiently enlightened installation or Commissioning that can act in detriment to the longer term system performance, safety, reliability and application. It is more often So, as an imperative, that installation and commissioning requires extensive knowledge of the platform, application and site Integration.



Our Global Presence



UK

Autocontrol Process Instrumentation Ltd.

Unit B4; Greeba Road; Southmoor Industrial Park Wythenshawe; Greater Manchester, England Post Code - M23 9XS, United Kingdom

+44 161 5074 443

sales.uk@autocontrolpi.com

www.autocontrolpi.com

USA

Autocontrol Americas Inc.

Unit 24/26 220 Barren Springs Dr, Houston, Texas 77090, United States of America

sales.usa@autocontrolamericas.com

www.autocontrolamericas.com

UAE

Autocontrol Process Instrumentation FZC.

Plot No. 1H-08B, PO Box 51722, Hamriya Free Zone , Phase 1, Sharjah, United Arab Emirates.

sales.uae@autocontrolpi.com

www.autocontrolpi.com

INDIA

Autocontrol Process Instrumentation Pvt. Ltd.

Plot No-B-85/4, Ambernath Additional MIDC, Anand Nagar, Nr. ASB Company, Ambernath, Thane, Maharastra, India - 421506

sales.india@autocontrolpi.com

www.autocontrolpi.com

ITALY

Autocontrol Europe Srl.

Via Vittorio Veneto, 23, Cap 20010 Bernate Ticino Milano, Italy

sales.europe@autocontroleurope.com

www.autocontroleurope.com

IRAQ

Autocontrol Process Instrumentation FZE.

Italian City1, Villa 59 Erbil Kurdistan, Iraq

sales.iraq@autocontrolpi.com

www.autocontrolpi.com

KSA

Autocontrol Process Instrumentation LLC.

Unit S1/2/44, Dammam 2nd Industrial Area, West (SCOOP) Kingdom of Saudi Arabia

sales.ksa@autocontrolpi.com

www.autocontrolpi.com

OMAN

Autocontrol Process Instrumentation LLC.

Ghala Al Sanaiah, Bousher, Postal Code 112, Muscat Governorate, Muscat, Oman

sales.oman@autocontrolpi.com

www.autocontrolpi.com

TURKEY

Autocontrol Process Instrumentation Elektronik Imalat Ticaret Sanayi Limited Sirketi

Ornek, Bestekar Amir Ates Cd. No. 10A, 34704 Atasehir, Istanbul, Turkey

sales.turkey@autocontrolpi.com

www.autocontrolpi.com

Notes

A large area of the page is filled with horizontal dashed lines, providing space for handwritten notes.



• Sensing • Measuring • Controlling • Automation

UK | USA | UAE | INDIA | ITALY | IRAQ | KSA | OMAN | TURKEY

www.autocontrolpi.com