

EXPLOSIONPROOF PRESSURE SWITCH

MODEL C1.02



PRODUCT DESCRIPTION

Explosionproof pressure switch containing an explosion of a specified gas, vapor or dust which may occur within it. The pressure switches are designed for pressure control for applications in harsh or hazardous locations. The explosion-proof construction provides superior protection, while its compact design allows for easy integration into custom equipment or systems. Ideal for pressure alarm, shutdown or process control within hazardous areas when limited size and compatibility are required.



EXPLOSIONPROOF PRESSURE SWITCH

MODEL C1.02

KEY FEATURES

- SS wetted part
- Filled adjustable set point
- High reliable
- Set point adjustment with locking
- Weatherproof to IP 66

SPECIFICATIONS

Ambient Temperature	: -10..60 °C
Repeatability	: ± 0.5% of full scale
Scale Accuracy	: ± 1% of full scale
Over Pressure limit	: 150% of FS
Scale Unit	: bar
Range Adjustment	: External
Differential	: Fixed
Mounting	: Bottom / Panel
Switch	: 1 SPDT Snap action micro switch
Switch Rating	: 15A 250VAC / 0.2A,24VDC
Set point	: Between 20 to 80% full scale
Maximum process temperature	: 150 °C
Process Connection	: ½" NPT (M)
Switch	: 1 SPDT. snap action micro switch
Ingress Protection	: IP 66

APPLICATION

- Textile machineries
- Power & steel plants
- Oil & gas, refineries
- Cement & glass industries
- Railway engines & Turbines
- Petrochemical & fertilizers
- Marine & furnace applications

MATERIAL OF CONSTRUCTION

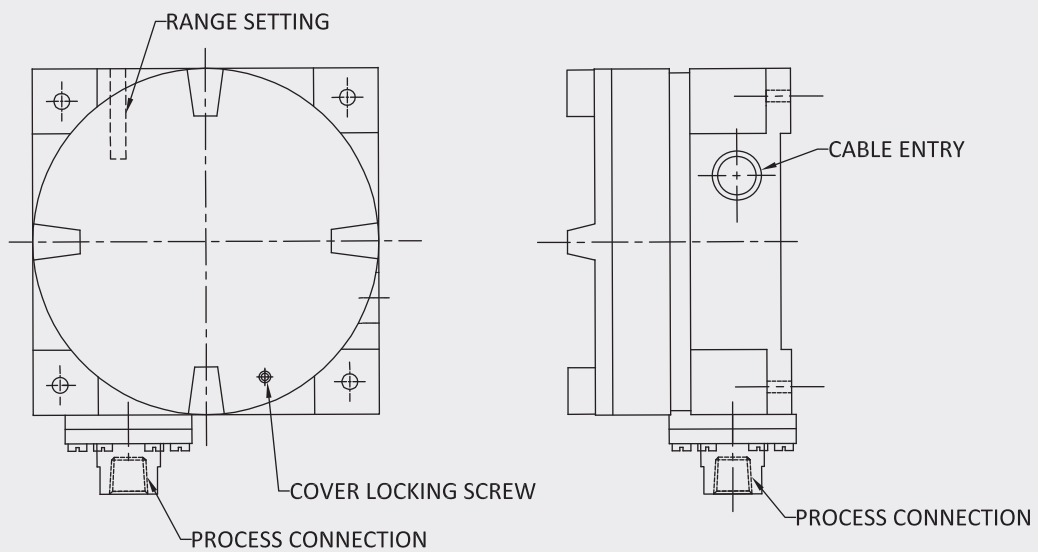
Sensing Element	: Diaphragm/Piston
Enclosure Material	: Pressure Die cast aluminum
Top chamber	: Mild Steel
Bottom Chamber	: SS 316L
Gasket	: Neoprene

EXPLOSIONPROOF PRESSURE SWITCH

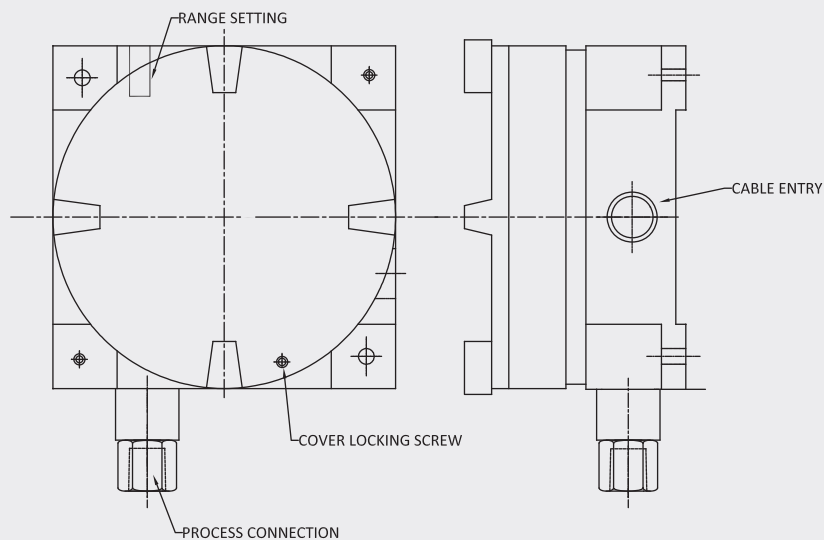
MODEL
C1.02

Dimensional Drawing:

Explosionproof Diaphragm Pressure Switch



Explosionproof Piston Pressure Switch



EXPLOSIONPROOF PRESSURE SWITCH

MODEL C1.02

MODEL CODING & ORDERING INFORMATION

DESCRIPTION	CODE	C1.02	DM	XXX	MS	S6	HC	F	K2	XXX	C1	S6	14NM	E2
Type Explosionproof pressure switch	C1.02	C1.02												
Type Diaphragm	DM		DM											
Piston	PO													
Range As per table-1	XXX			XXX										
Chamber Material Top Mild Steel-Plated	MS				MS									
SS 304	S4													
SS 316	S6													
SS 316L	SL													
Chamber Material Bottom SS 316	S6					S6								
SS 316L	SL													
Hast C-276	HC													
Monel 400	M4													
Sensing Element SS 316	S6													
Hast C-276	HC						HC							
Monel 400	M4													
Differential Fixed	F							F						
Adjustable	A													
Type of Micro switch 1 SPDT	K2								K2					
1 DPDT	K3													
2 SPDT	K4													
Micro Switch Rating As per table-2	XXX									XXX				
Calibration Increasing	C1										C1			
Decreasing	C2													
Wetted Part SS 316	S6											S6		
SS 316L	SL													
Process Connection 1/4" NPT (M)	14NM												14NM	
1/4" NPT (F)	14NF													
3/8" BSP (M)	38BM													
3/8" BSP (F)	38BF													
1/2" BSP (M)	12BM													
1/2" BSP (F)	12BF													
1/2" NPT (M)	12NM													
1/2" NPT (F)	12NF													
Flange as per table-3	XXX													
Cable Entry 1/2" NPT (F)	E2													E2
3/4" ET DCCG SS	E9													
3/4" ET	E10													
1/2" NPT DCCG SS	E11													
3/4" ET DCCG Brass	E12													
1/2" NPT DCCG Brass	E13													
3/4" ET dual entry with one entry plugged	E16													
3/4" ET DCCG with one entry plugged	E17													
1/2" NPT DCCG with one entry plugged	E18													
1/2" NPT (F) with one entry plugged	E19													

EXPLOSIONPROOF PRESSURE SWITCH

MODEL C1.02

MODEL CODING & ORDERING INFORMATION

DESCRIPTION	CODE	X16
Other Options		
2" Pipe Mounting & 'U' clamp (SS 316)	XB4	
Calibration Certificate	X16	X16
SS Tag plate	X26	
Material Test Certificate	X17	
Wetted part complied to NACE	X20	
Oxygen Services	X21	
Wall mounting bracket	X61	

Table-1 (Range Table with 1 SPDT Only)

ORDERING CODE	RANGE (mbar)	Ordering code	RANGE (bar)	Ordering code	RANGE (bar)
SP20	-20 to 20	B001	0.1 to 1	D011	-1 to 1
SP40	-40 to 40	B002	0.2 to 2	D012	-1 to 2
S040	3 to 20	B004	0.4 to 4	D014	-1 to 4
S060	5 to 60	B006	0.6 to 6	E001	-1 to 0
S100	10 to 100	B010	1 to 10		
S250	25 to 250	B016	1 to 16		
S400	40 to 400	B025	2 to 25		
S600	60 to 600	B032	2 to 32		
		B040	2 to 40		

Table-2 (Micro Switch Rating)

Switch CODE	Description	AC Rating	AC Rating (Resistive)	DC Rating (Inductive)
SPL	Low dead band & fixed	15A 250V	2A 24V 0.4A 110V 0.2A 220V	2A 24V 0.4A 110V 0.2A 220V
SPH	Standard dead band	15A 250V	6A 24V 0.5A 110V 0.25A 220V	5A 24V 0.05A 110V 0.03A 220V
SPA*	Adj. differential micro switch	15A 250V		
HSS**	Hermetically sealed silver plated	4A 230V	3A 28V	2A 24V
DPD	DPDT Micro switch	10A 125V	0.2A 250V	

Note:* For 1 SPDT switch only. ** For 1 SPDT switch only & for range code B004 to B040 only

EXPLOSIONPROOF PRESSURE SWITCH

MODEL C1.02

Table -1 AS PER ANSI B 16.5

NOMINAL SIZE	RATING/ CLASS	CODE	NOMINAL SIZE	RATING/ CLASS	CODE	NOMINAL SIZE	RATING/ CLASS	CODE	NOMINAL SIZE	RATING/ CLASS	CODE
1/2"	150	B09	1"	150	B21	1 1/2"	150	B33	2 1/2"	150	B45
	300	B10		300	B22		300	B34		300	B46
	600	B11		600	B23		600	B35		600	B47
	900	B12		900	B24		900	B36		900	B48
	1500	B13		1500	B25		1500	B37		1500	B49
	2500	B14		2500	B26		2500	B38		2500	B50
3/4"	150	B15	1 1/4"	150	B27	2"	150	B39	3"	150	B51
	300	B16		300	B28		300	B40		300	B52
	600	B17		600	B29		600	B41		600	B53
	900	B18		900	B30		900	B42		900	B54
	1500	B19		1500	B31		1500	B43		1500	B55
	2500	B20		2500	B32		2500	B44		2500	B56

SAMPLE ORDERING CODE:

C1.02-DM.XXX.MS.S6.HC.F.K2.XXX.C1.S6.14NM.E2.X16

Note: Specification's and dimensions given in this product catalogue represents the state of engineering at the time of printing. Modifications may take place and material specified may be replaced by others without prior notice.