

EXTERNAL CHAMBER

MODEL X5.06



PRODUCT DESCRIPTION

The external chamber consists of an external chamber vessel that is mounted laterally to a vessel using at least 2 process connections (flange, thread or weld stub). Through this type of arrangement, the level in the external chamber corresponds to the level in the vessel. The level is measured by a measuring instrument inserted additionally in the external chamber.



EXTERNAL CHAMBER

MODEL X5.06

KEY FEATURES

- Easy Installation
- External Mounting
- Side or Top bottom mountable

APPLICATION

- Oil & Water storage tank
- Chemical & Fertilizer plants
- Pharmaceutical & beverages plants
- Storage tanks

SPECIFICATIONS

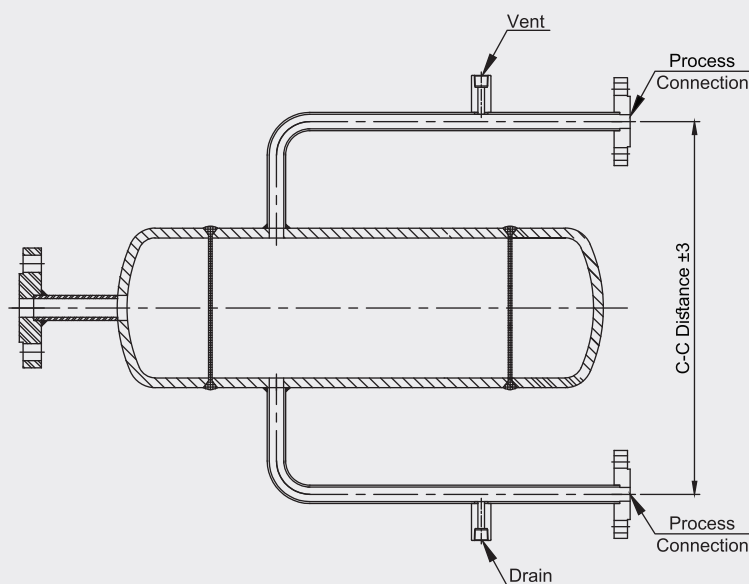
Working Pressure	: 10...100 bar
Working Temp.	: -40...400 °C
Pipe schedule	: Sch 10 pipe up to Sch XXS
Center to Center Distance	: 200 mm up to 5000 mm
Vent Connection	: 1/2" NPT (F), plugged
Drain Connection	: 1/2" NPT (F), plugged
Process Connection	: 2" NPT (M)
Instrument Connection	: 3" RF 150# as per ANSI B16.5
Chamber Size	: 2" / 2 1/2" / 3" / 4"

MATERIAL OF CONSTRUCTION

Material : ASTM A105

DIMENSIONAL DRAWINGS

Switch Chamber



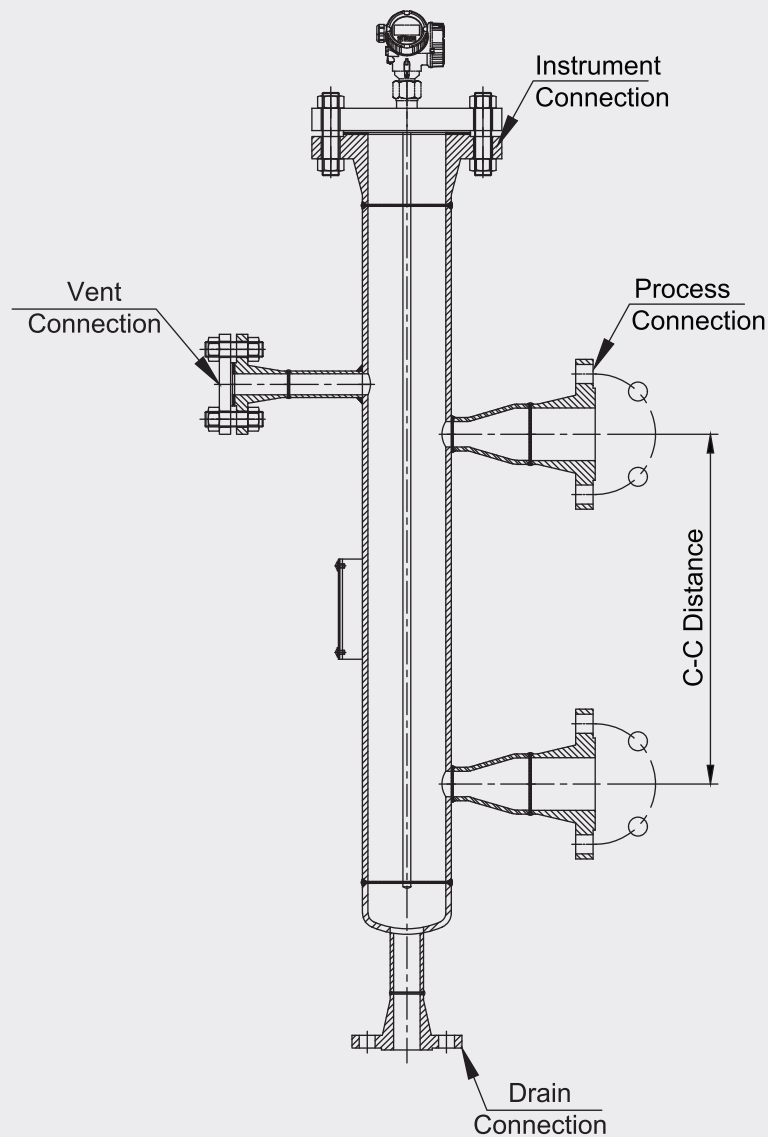
Important Notes: Above drawings are not to scale. All Dimension are in mm

EXTERNAL CHAMBER

MODEL
X5.06

DIMENSIONAL DRAWINGS

Standard Chamber



EXTERNAL CHAMBER

MODEL X5.06

MODEL CODING & ORDERING INFORMATION

DESCRIPTION	CODE	X5.06	SC	SS	AA	12NM	12NF	12NF	XXX	XXX	X17
Model											
External Chamber	X5.06	X5.06									
Version											
Standard Chamber	SC		SC								
Switch Chamber	SW										
Mounting											
Side-Side	SS			SS							
Side-Bottom	SB										
Chamber											
ASTM A105	AA				AA						
SS 304 SS	S4										
SS 316 SS	S6										
SS 316L SS	SL										
Inconel 625	I5										
Inconel 825	I2										
Duplex SS 2205	DU										
Instrument Connection											
½" NPT (M)	12NM					12NM					
¾" NPT (M)	34NM										
1" NPT (M)	25NM										
2" NPT (M)	50NM										
Flange as per table 1	XXX										
Vent Connection											
½" NPT (F)	12NF						12NF				
¾" NPT (F)	34NF										
Flange as per table -1	XXX										
Drain Connection											
½" NPT (F)	12NF							12NF			
¾" NPT (F)	34NF										
Flange as per table -1	XXX										
Process Connection											
½" NPT (M)	12NM										
¾" NPT (M)	34NM										
1" NPT (M)	25NM										
2" NPT (M)	50NM										
Flange as per table 1	XXX								XXX		
Center to Center Distance											
As per customer requirements	XXX									XXX	
Other Options											
Material Test Certificate	X17										X17
Tested to NACE Standard	X20										
SS Tag Plates	X26										
Plug/Counter Flange for Vent	X50										
Needle valve in Drain & Vent	X51										
Ball valve in Drain & Vent	X52										
Hydrostatic Test Certificate	X53										
NDT Test	X100										
Paint	X101										

EXTERNAL CHAMBER

MODEL X5.06

Table -1 AS PER ANSI B 16.5

NOMINAL SIZE	RATING/ CLASS	CODE	NOMINAL SIZE	RATING/ CLASS	CODE	NOMINAL SIZE	RATING/ CLASS	CODE	NOMINAL SIZE	RATING/ CLASS	CODE
1/2"	150	B09	1"	150	B21	1 1/2"	150	B33	2 1/2"	150	B45
	300	B10		300	B22		300	B34		300	B46
	600	B11		600	B23		600	B35		600	B47
	900	B12		900	B24		900	B36		900	B48
	1500	B13		1500	B25		1500	B37		1500	B49
	2500	B14		2500	B26		2500	B38		2500	B50
3/4"	150	B15	1 1/4"	150	B27	2"	150	B39	3"	150	B51
	300	B16		300	B28		300	B40		300	B52
	600	B17		600	B29		600	B41		600	B53
	900	B18		900	B30		900	B42		900	B54
	1500	B19		1500	B31		1500	B43		1500	B55
	2500	B20		2500	B32		2500	B44		2500	B56

SAMPLE ORDERING CODE:

X5.06-SC.SS.AA.12NF.12NF.12NM.XXX.X17

Note: Specifications and dimensions given in this product catalogue represents the state of engineering at the time of printing. Modifications may take place and material specified may be replaced by others without prior notice.